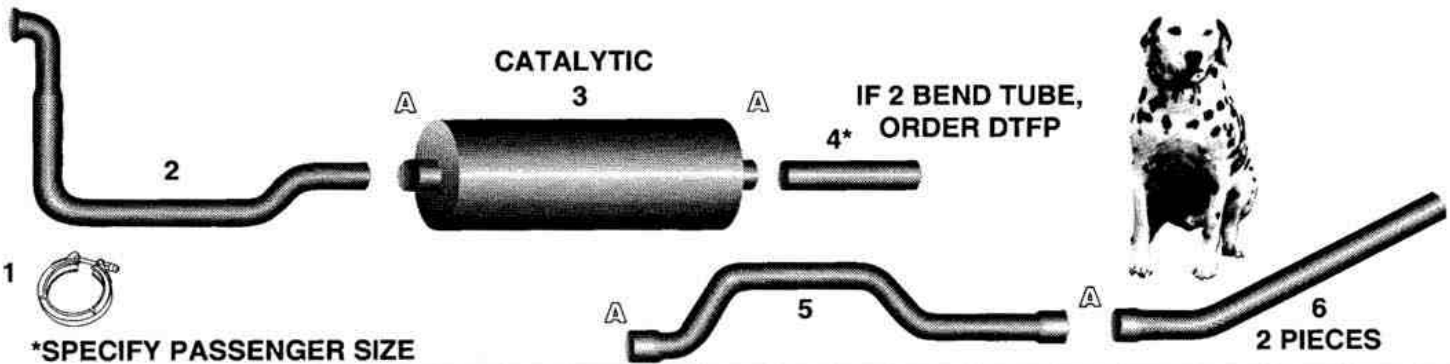


# FORD EXHAUST SYSTEMS

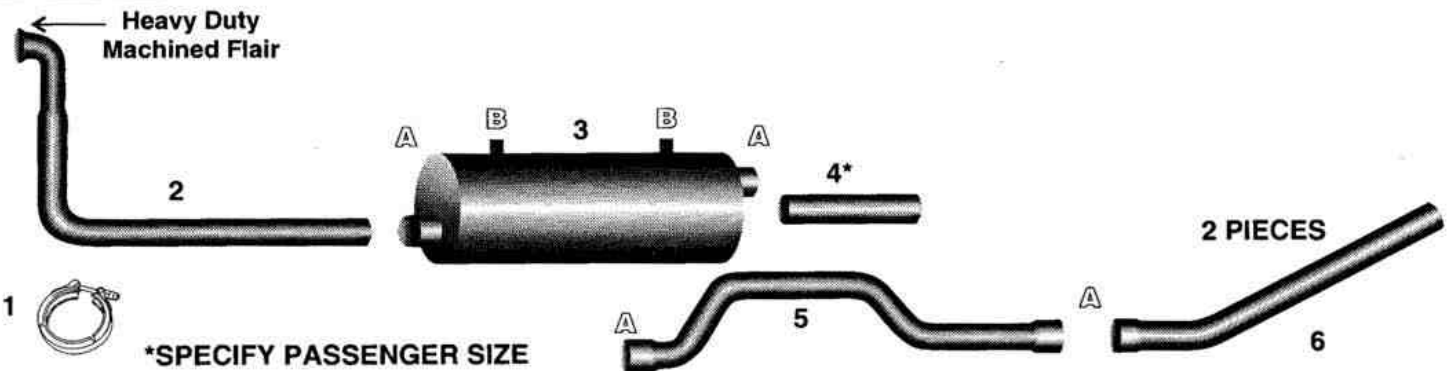
## 1996-UP FORD FD-1060 CUMMINS DIESEL 6 BT 5.9 LITRE

"SLY" LIKES FORDS



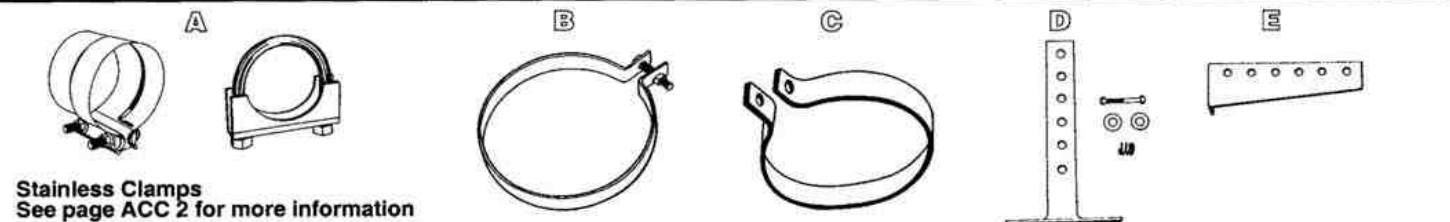
DESCRIPTION	1 V-CLAMP	2 TURBO PIPE	3 CATALYTIC MUFFLER	4* FRONT PIPE	5 OVERAXLE PIPE	6 TAIL PIPE
PART #	FDVCL96	FD1060T96S (STAINLESS)	400FDCAT	400STP	F60A91	F6TP91
PART #		FD1060T96A (ALUMINIZED)				

## 1992-95 FORD FD-1060 CUMMINS DIESEL 6 BT 5.9 LITRE



DESCRIPTION	1 V-CLAMP	2 TURBO PIPE	3 MUFFLER	4* FRONT PIPE	5 OVERAXLE PIPE	6 TAIL PIPE
PART #	TCVCL	FD1060T	400FDA	400STP	F60A91	F6TP91

## ACCESSORIES



Stainless Clamps  
See page ACC 2 for more information

DESCRIPTION	AIR ELEMENTS			CLAMPS		MUFFLER HANGER B	TAIL PIPE HANGERS		
	6.6 - 7.8	FD-1060	INNER	A - 4"	C		D	E	
PART #	P52-0925	P52-9493	P52-9494	FLAT	400SC	1100MH	FORD400PH	THGR	HGRBR
PART #		P52-7484	P52-7680	PRE-FORMED	400SCPF				
PART #				U-BOLT	U-400				

## INDUSTRIAL EXHAUST

Nationwide toll free 1-866-435-8616 ☐ Fax 780-437-8839 ☐ website: [www.industrialexhaust.com](http://www.industrialexhaust.com)

**SCHOOL BUS FORD 1**